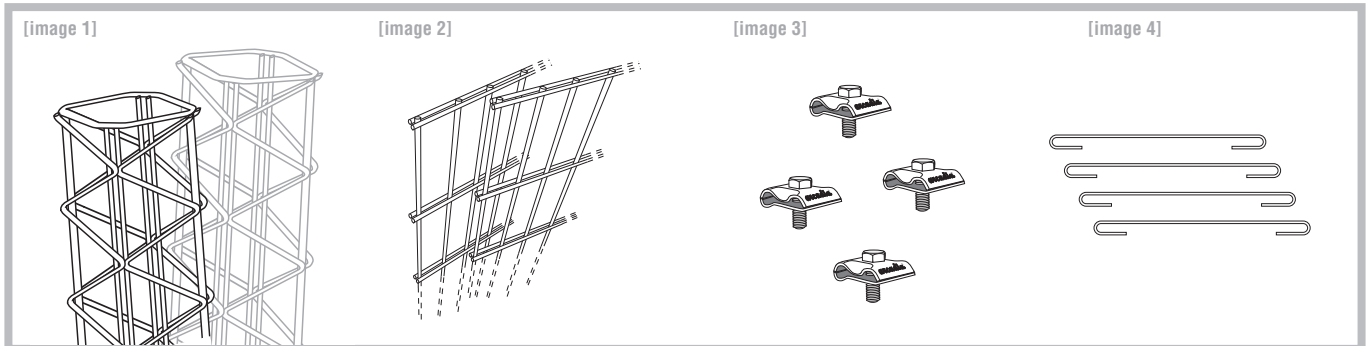


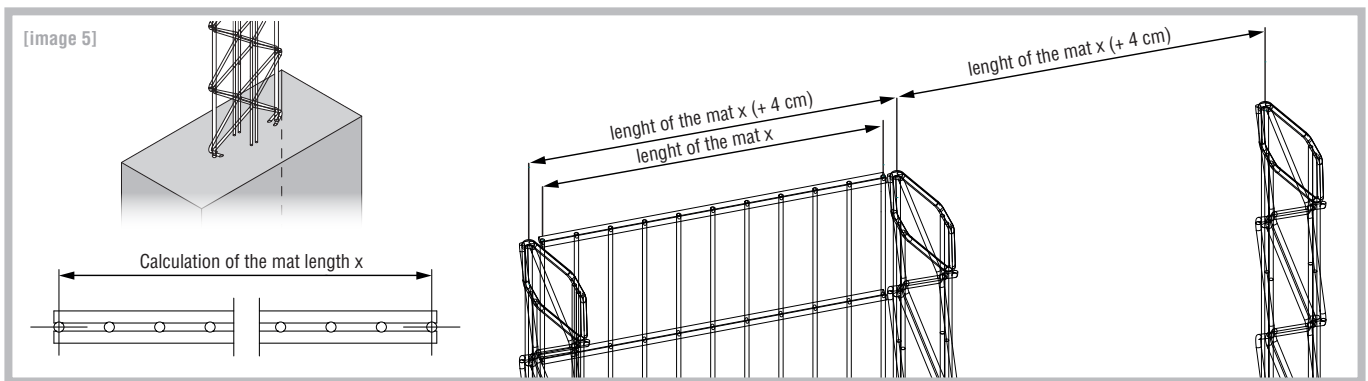
Assembly Instruction

PERGONE® 23 CM

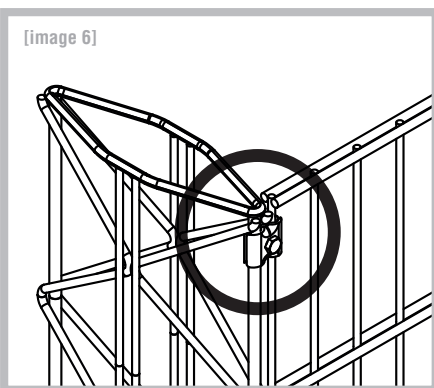
arcadia®



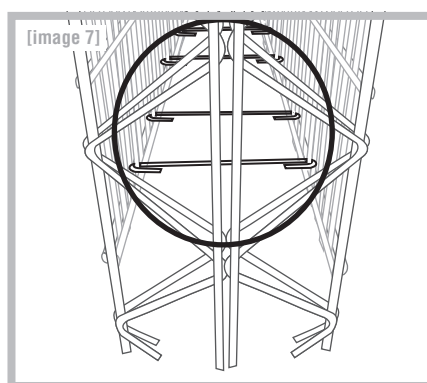
The assembly instructions are for the attention of the qualified skilled worker possessing the required level knowledge to carry out safe and professional construction. In case one of these qualifications is not held, please get in contact with a specialist assembly company. Proper assembly involves sufficient compression of the ground between the deep foundations and compression of the filling material by lightly tapping on the double rod gratings with a rubber mallet. For soil and substructures that are prone to settling, we recommend mounting a covering for Pergone® at the bottom and/or implementing a centrally installed support footing. One basic element consists of 2 columns [image 1], 2 double rod gratings [image 2] and, depending on the element height, the appropriate universal fixing clips [image 3] and a sufficient amount of spacers [image 4]. Please make sure that the delivery contents are complete before you begin with assembly.



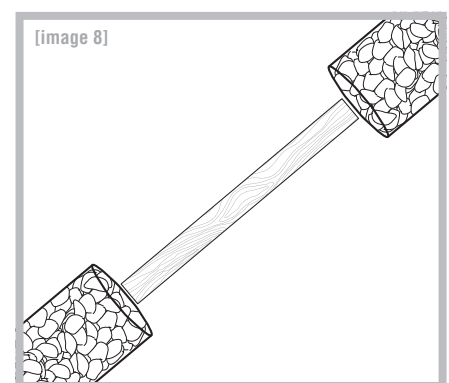
Measure the point foundations, excavate rectangular holes e.g. with a ground drill or a spade. The size of the foundation depends on local conditions and must be determined individually with regard to project details and in compliance with static requirements. Insert the columns into the soil-moist concrete to be flush with each other and vertical to the ground. Check distance / height [image 5]. The concrete must be compacted by thorough tamping. The columns must be anchored in the ground at a depth of at least 40 cm [image 9]. The distance between the columns is determined by the mat length $x + 4$ cm.



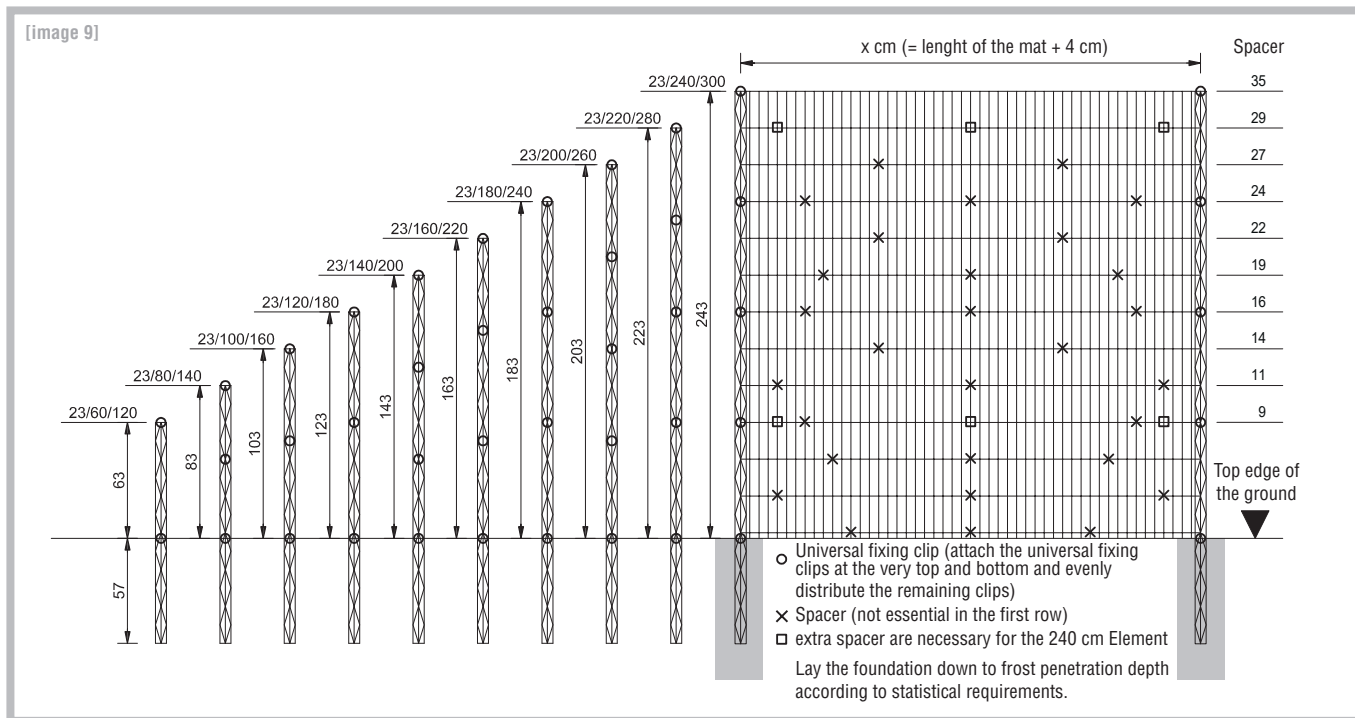
Before affixing the double rod gratings, the concrete must have cured! The double rod gratings must be flush with the ground. The double rod gratings are affixed using universal fixing clips (hand tighten the screws) [image 9].



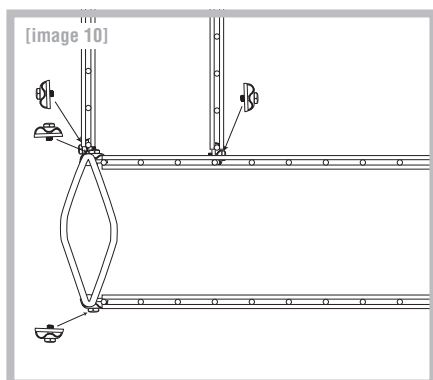
Insert all the distance pieces between the double rod gratings [image 9]. The universal fixing clips are then to be tightened securely.



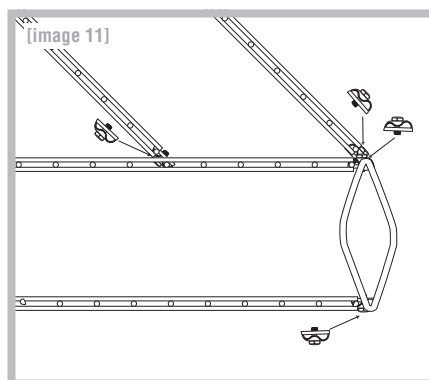
You can use supplementary wood elements with your completed Pergone® 23 cm.



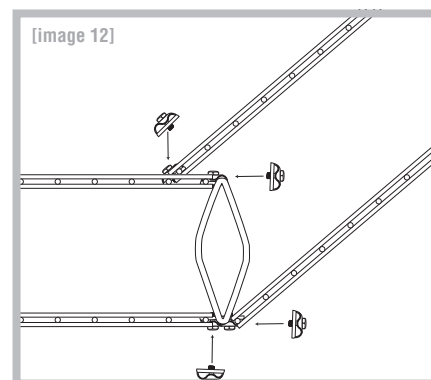
The indicated insertion positions for the spacers are recommendations on our part and may be expanded optionally if required.



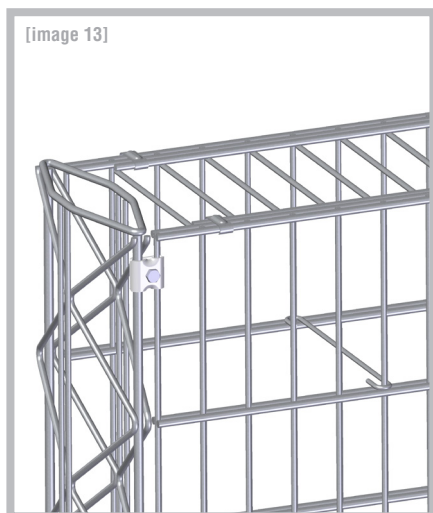
Solution for the corner (right-angled)



Solution for the corner (acute-angled)

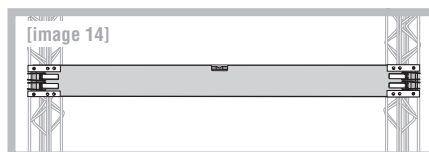


Solution for the corner (obtuse-angled)



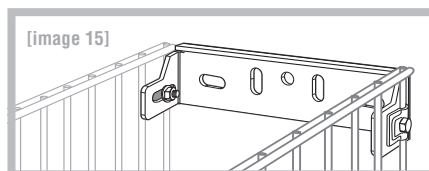
Covering for Pergone® and brackets:

The Pergone® covering can be used to prevent the removal of the filling material (item A02K20). Delivery contents include 8 brackets, meaning that the fastening can be carried out easily using an alligator wrench.



Assembly aid:

For the correct professional assembly of the Pergone®, the assembly aid is to be used.



Wall Connection of the Pergone®:

For the professional connection of the Pergone® 23 cm with existing parts of construction, use the Wall Connection. Therefore please pay attention to the respective assembly instruction.

Notice: Written and verbal recommendations (technological application) which are given on the basis of experience and to the best of our knowledge and correspond to the current level of knowledge in science and practical application are not binding and do not represent the basis for any contractual relationship or any further commitments. Under no circumstances is the purchaser of our product released from their obligation to examine the product on their own authority with respect to its suitability and the intended purpose of use.

No guarantee is given for misprints and errors.
Subject to changes!

State: 08/2018